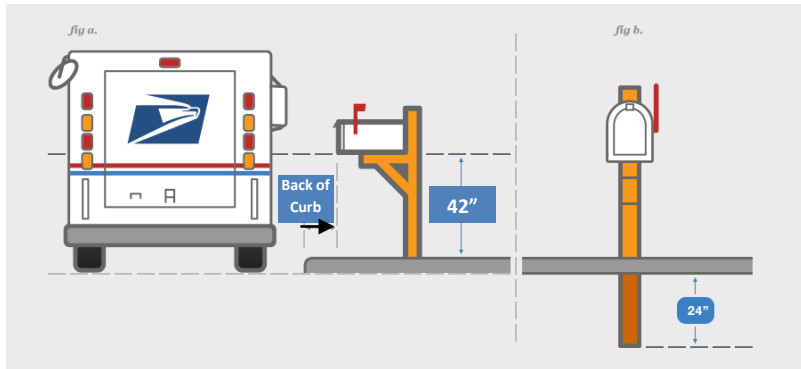


CURBSIDE MAILBOXES

Installation of curbside mailboxes must meet specific construction standards, which can be obtained from your local Post Office at 502 E. Figzel Court in Tea, South Dakota. Phone 368.2871.

Generally a curbside mailbox should be positioned at about 42" off the ground and flush with the back of the curb. The mailbox should be labeled with 2" to 3" house numbers on both sides of the box.



When mounting a curbside mailbox on a post near the street, the support should be secure and safe. The best supports are designed to bend or fall away if a car hits them.

The Federal Highway Administration recommends...

- a wooden mailbox support no bigger than 4" x 4".
- a 2"- diameter standard steel or aluminum pipe.

Bury your post no more than 24" deep, so it can give way in an accident.

Don't use potentially dangerous supports, such as...

- heavy metal pipes
- Concrete posts
- Farm equipment, such as milk cans filled with concrete

Your mailbox can take a serious beating from the weather, especially in the winter. A mailbox check-up should be done routinely. You might just need to...

- Replace loose hinges on the door.
- Repaint rusty or peeling parts.
- Remount the post, if it's loose or extending over the curb.
- Replace missing or faded house numbers.

Keep the path to your mailbox clear in inclement weather and other obstructions. Your carrier may not deliver your mail if there's a car, shrub, or snowdrift in front of it.

City of Tea Policy on Mailboxes

If a resident wishes to have mail delivery to their homes, it is their responsibility to install and maintain the mailbox. Unfortunately, when the city removes snow curb to curb, the snow may create havoc on residential mailboxes. The City of Tea is not responsible for repairing or replacing any mailboxes because of snow removal. Most of the time, mailboxes are damaged because they are overhanging the curb or from the force of the snow coming off of the plow. It is the homeowner's responsibility to fix their mailbox due to these damages. If a plow happens to drive up onto the curb and hit a mailbox, the City of Tea will repair the damages. If this does happen, we will notify the homeowner.

Information taken from www.usps.com and provided to you by the City of Tea. Always check with your local post office first before installing a curbside mailbox.